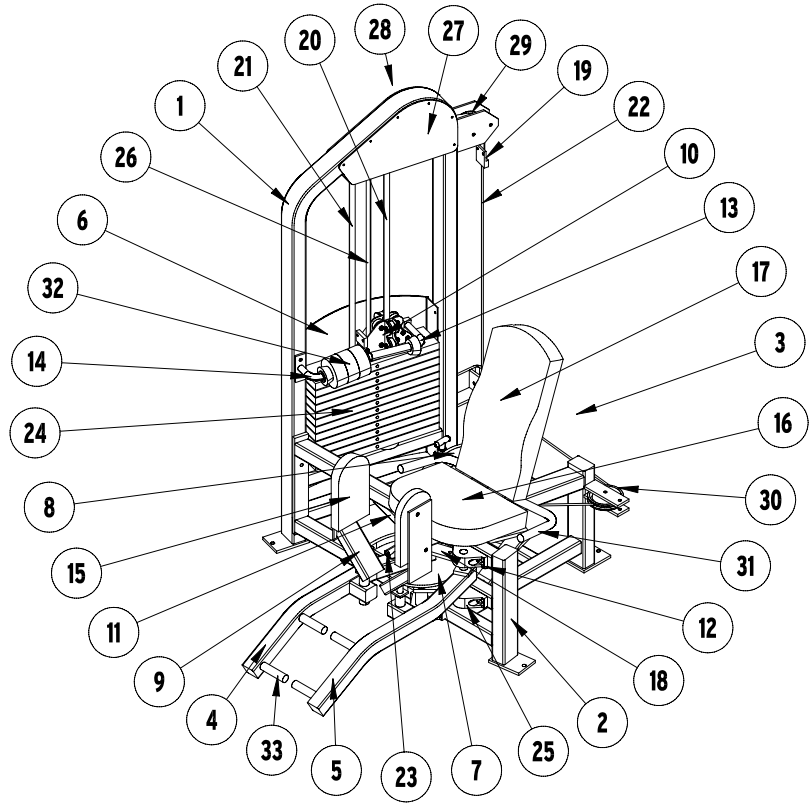
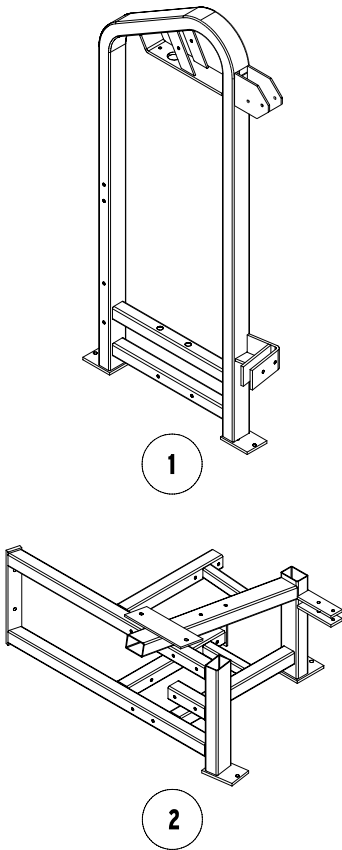


S-126 SELECTORIZED INNER/OUTER THIGH



ITEM	PART DESCRIPTION	QT	ITEM	PART DESCRIPTION	QT	ITEM	PART DESCRIPTION	QT
1	WELD,FRM,WEIGHT S-126	1	13	ASSY,ADD-ON HOLDER,TPD	1	25	BEAR,PILLOW,NYLON,1 ID	6
2	WELD,FRM,EXERCISE S-126	1	14	ASSY,ADD-ON HOLDER,WFD	1	26	BELT,FLAT,0.094x1x108"	1
3	WELD,BACK REST S-126	1	15	UPH,PAD,THIGH 10X5.5	2	27	DECAL,INSTRUCTIONAL,S-126 WH	1
4	WELD,ARM,EXERCISE(R) S-126	1	16	UPH,PAD,SEAT 15.25X12.2	1	28	DECAL,LOGO,STRIVE,LEFT	1
5	WELD,ARM,EXERCISE(L) S-126	1	17	UPH,PAD,BACK 10.25x21.25 LUMB	1	29	PULLEY,BELT,0.38 IDx4.5 OD BLK	2
6	BENT,SHT,WEIGHT SHIELD	1	18	*CFB50-1 , , 4.00*	1	30	PULLEY,CABLE,0.38 IDx4.5 OD	2
7	ASSY,DRIVE ASSEMBLY S-126	1	19	*CFB625-2.5, , 2.00*	1	31	RUB,GRIP,1.05 IDx6 BLK	2
8	ASSY,CAM,S-126	1	20	*CP075 ,TAPPED ,44.00*	1	32	WGHT,5#ADDON,4.75 ODx1.75BLK	3
9	WELD,SWIVEL PAD S-126	2	21	*CP075 ,GROOVED ,44.00*	1	33	RUB,GRIP,1.05 IDx4 BLK	4
10	ASSY,TOP PLATE,12 STEM	1	22	ASSY,CABLE,W/STUDS.1/8 WDX 8	1			
11	WELD,CROSS BRACE 14.84 W/15	1	23	ASSY,POPPER PIN,0.5X2.13	1			
12	WELD,STOP,RANGE S-126	1	24	ASSY,WGHT,20# STANDARD, 4x19	12			

